

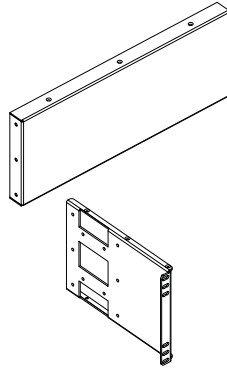
# IRP1-0425 4U Rackmount Solid/Vented Panel Installation



## Included in this package

(1) Solid/Vented Panel ①

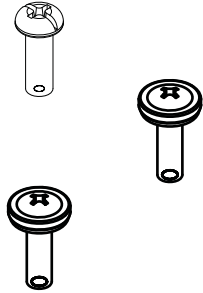
(2) Ear Bracket ②



(6) M4 x 8 Screws

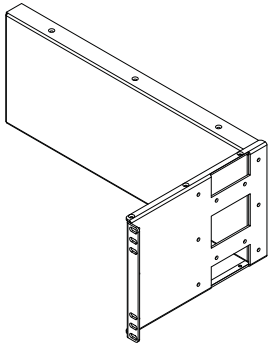
(4) #10-32 x 5/8 Screws

(4) #12-24 x 5/8 Screws

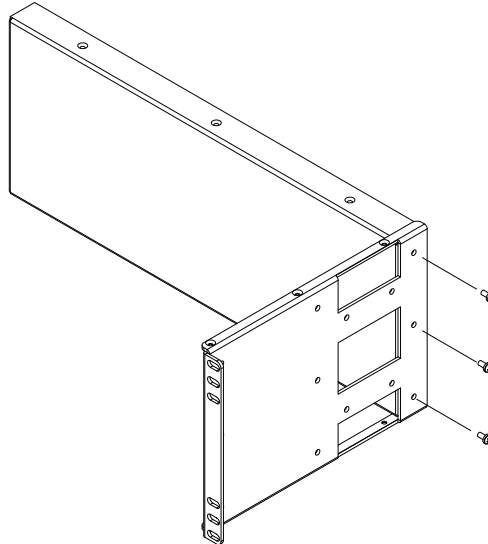


## Installation Steps

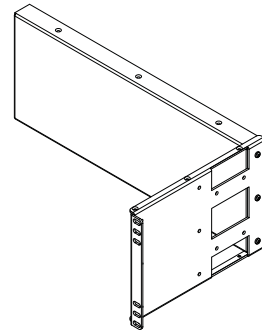
1



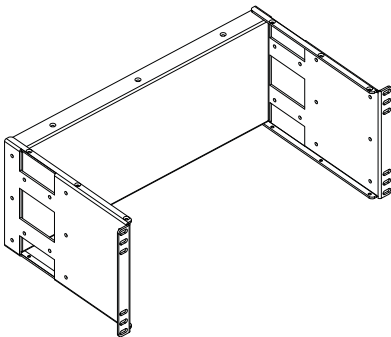
2



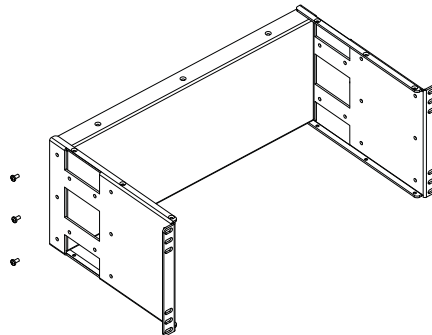
3



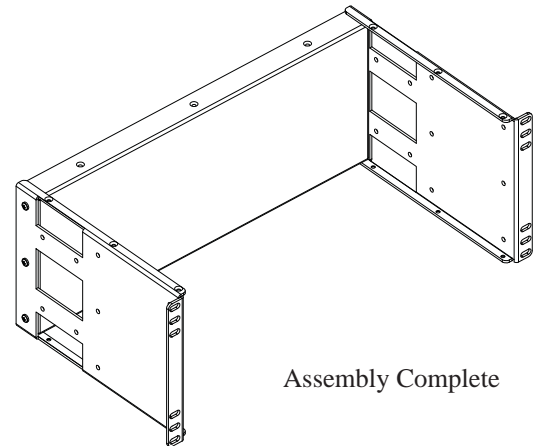
4



5



6



Assembly Complete